

Executive Order VR-209-A

VST Phase II EVR System with Clean Air Separator

**Exhibit 1
Equipment List**

<u>Component</u>	<u>Manufacturer/ Model</u>
Nozzle	VST Model VST-EVR-NB (Figure 1A-1) VST Model VST-EVR-NB-R (Rebuilt)
Coaxial Curb Hose	VST Model VDV-EVR Series (Figure 1A-2)
Coaxial Whip Hose	VST Model VSTA-EVR Series (Figure 1A-2)
Breakaway Coupling	VST Model VSTA-EVR-SBK (Figure 1A-2)
Hanging Hardware with Liquid Removal Device	(Figure 1A-3)
Clean Air Separator	Healy Model 9961 Clean Air Separator (Figures 1A-4 and 1A-5) Healy Model 9961H Clean Air Separator (Figures 1A-6 and 1A-7)

Figure 1A-1
Model VST-EVR- NB Nozzle

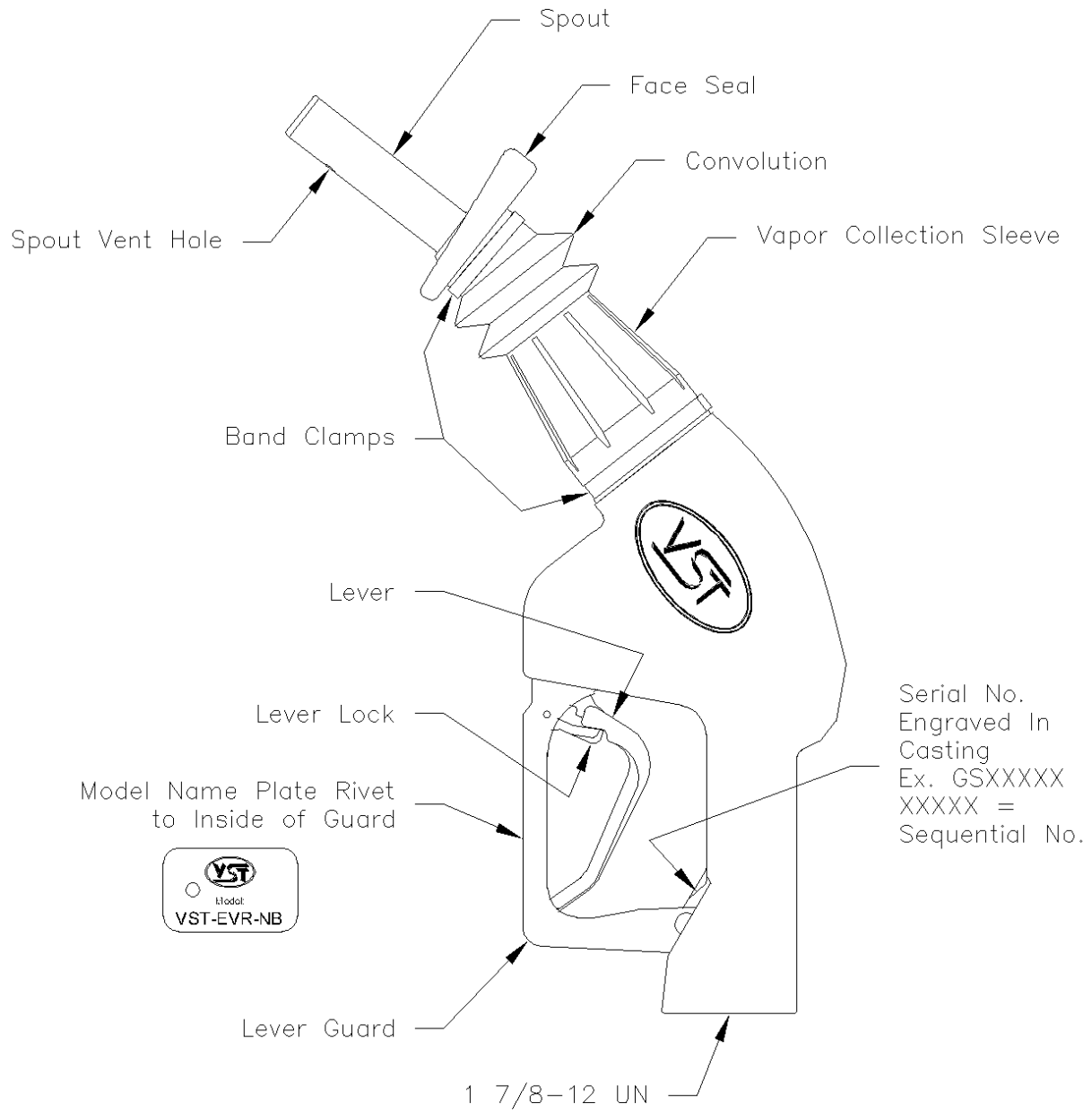


Figure 1A-2
VST Hanging Hardware
(Nozzle, Coaxial Curb Hose, Breakaway, and Coaxial Whip Hose)

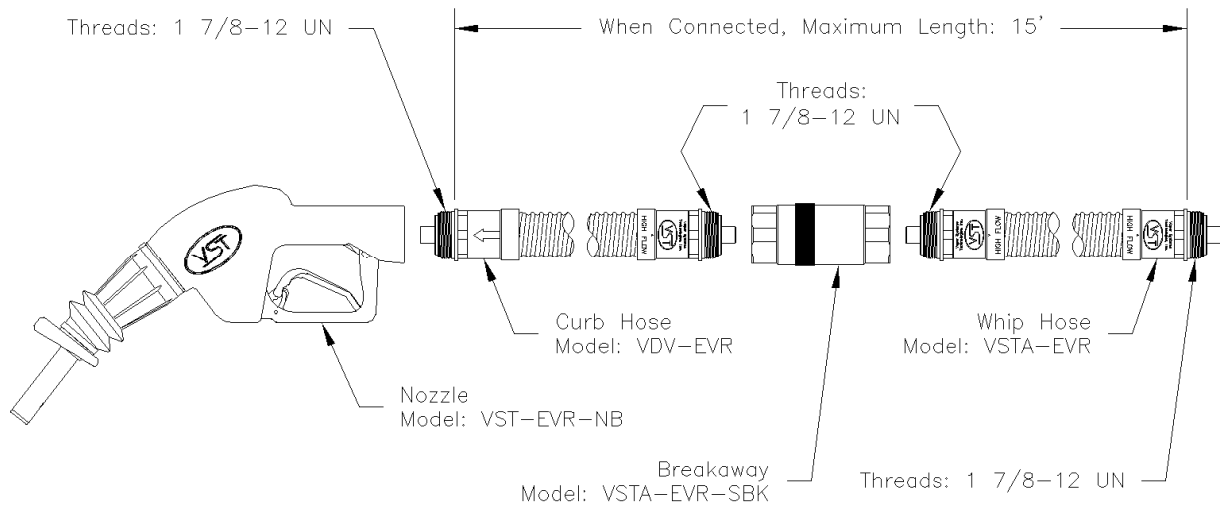


Figure 1A-2 (continued)
VST Hanging Hardware
(Nozzle, Coaxial Curb Hose, Breakaway, and Coaxial Whip Hose)



Figure 1A-3
Typical VST Hanging Hardware with Liquid Removal Device

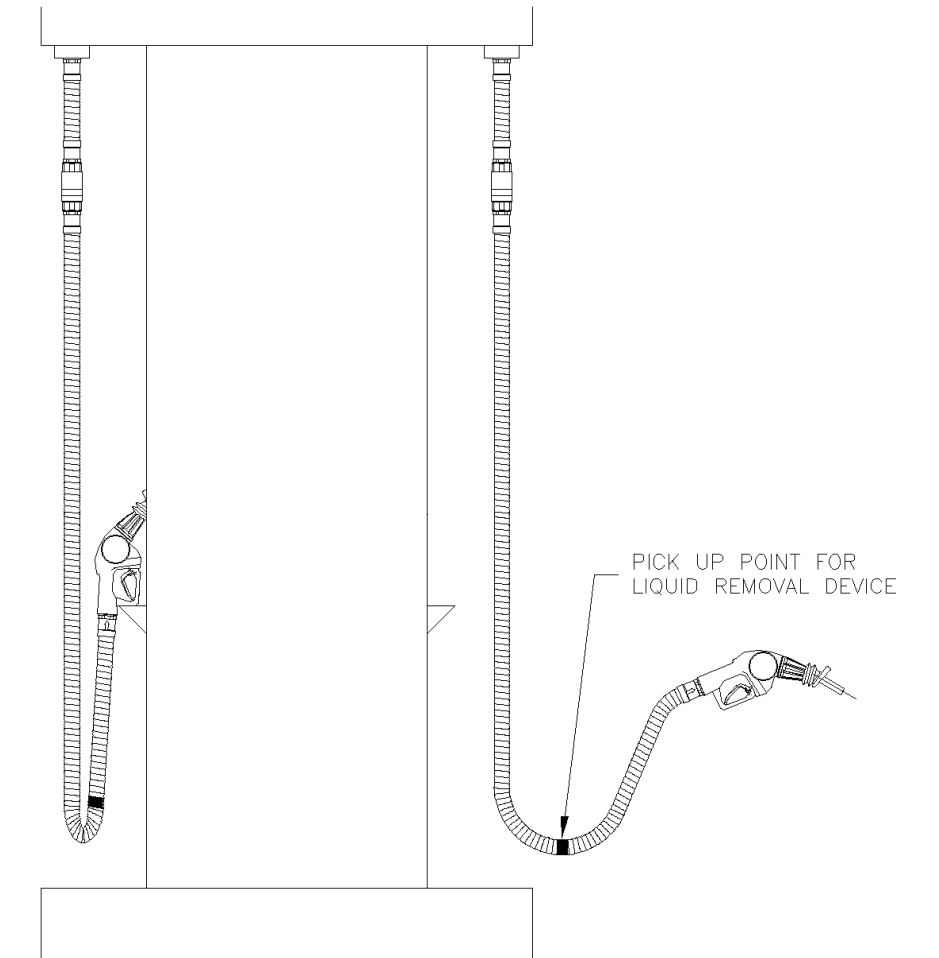


Figure 1A-4
Healy Model 9961 Clean Air Separator

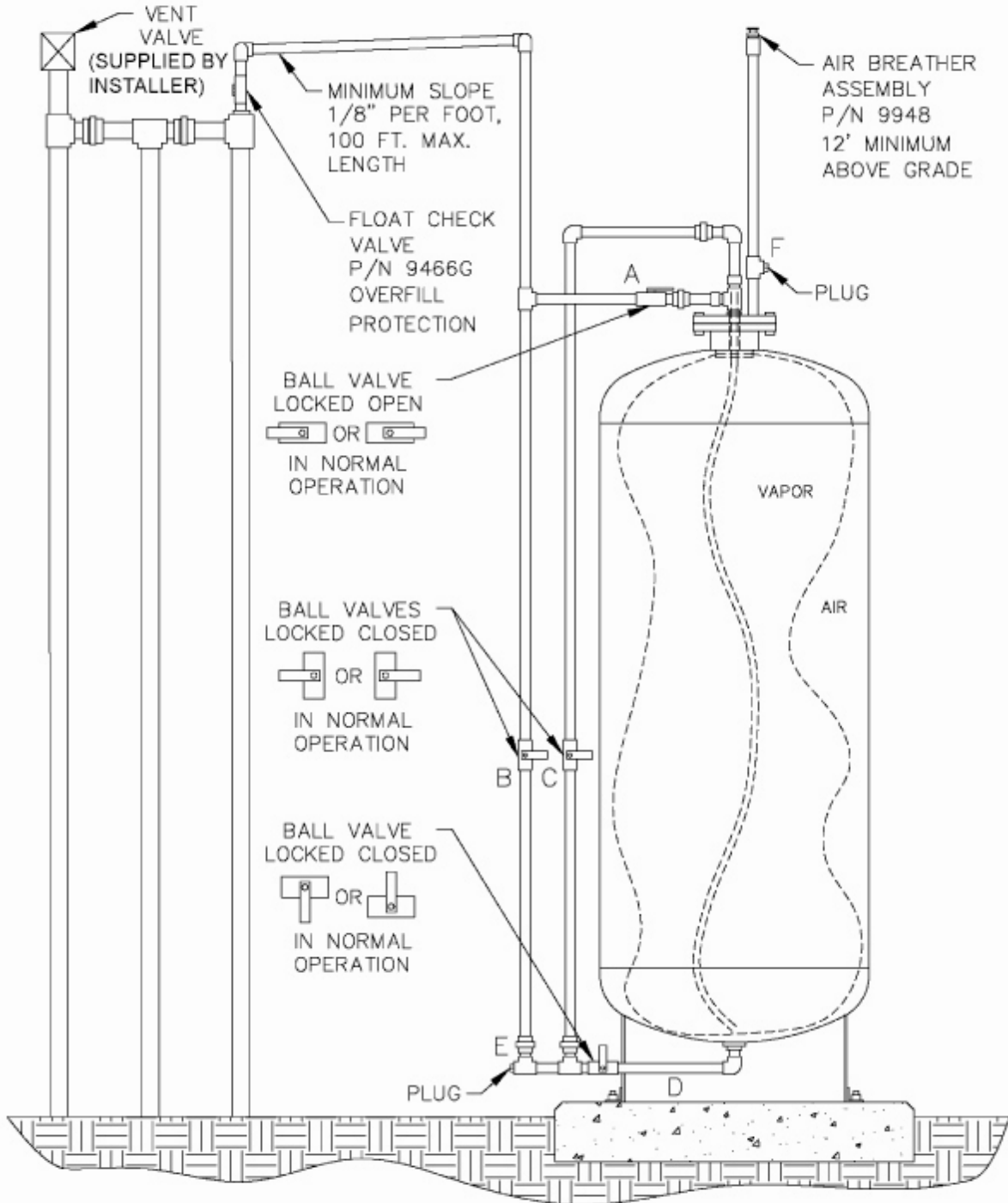


Figure 1A-5
Healy Model 9961 Clean Air Separator



Figure 1A-6
Healy Model 9961H Clean Air Separator

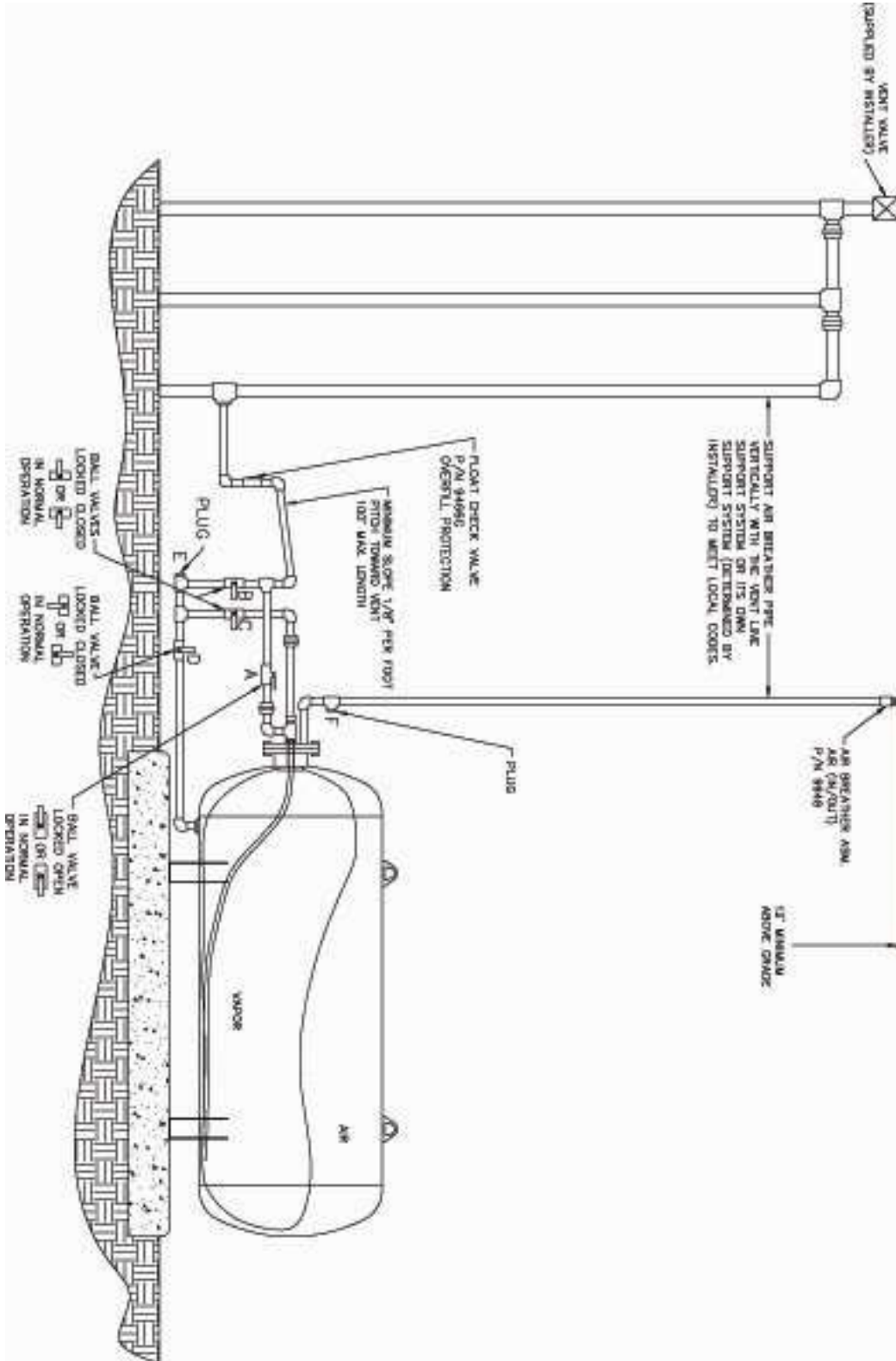


Figure 1A-7
Healy Model 9961H Clean Air Separator

