

**Executive Order VR-205-B**  
**VST Phase II EVR System with Hirt Thermal Oxidizer**

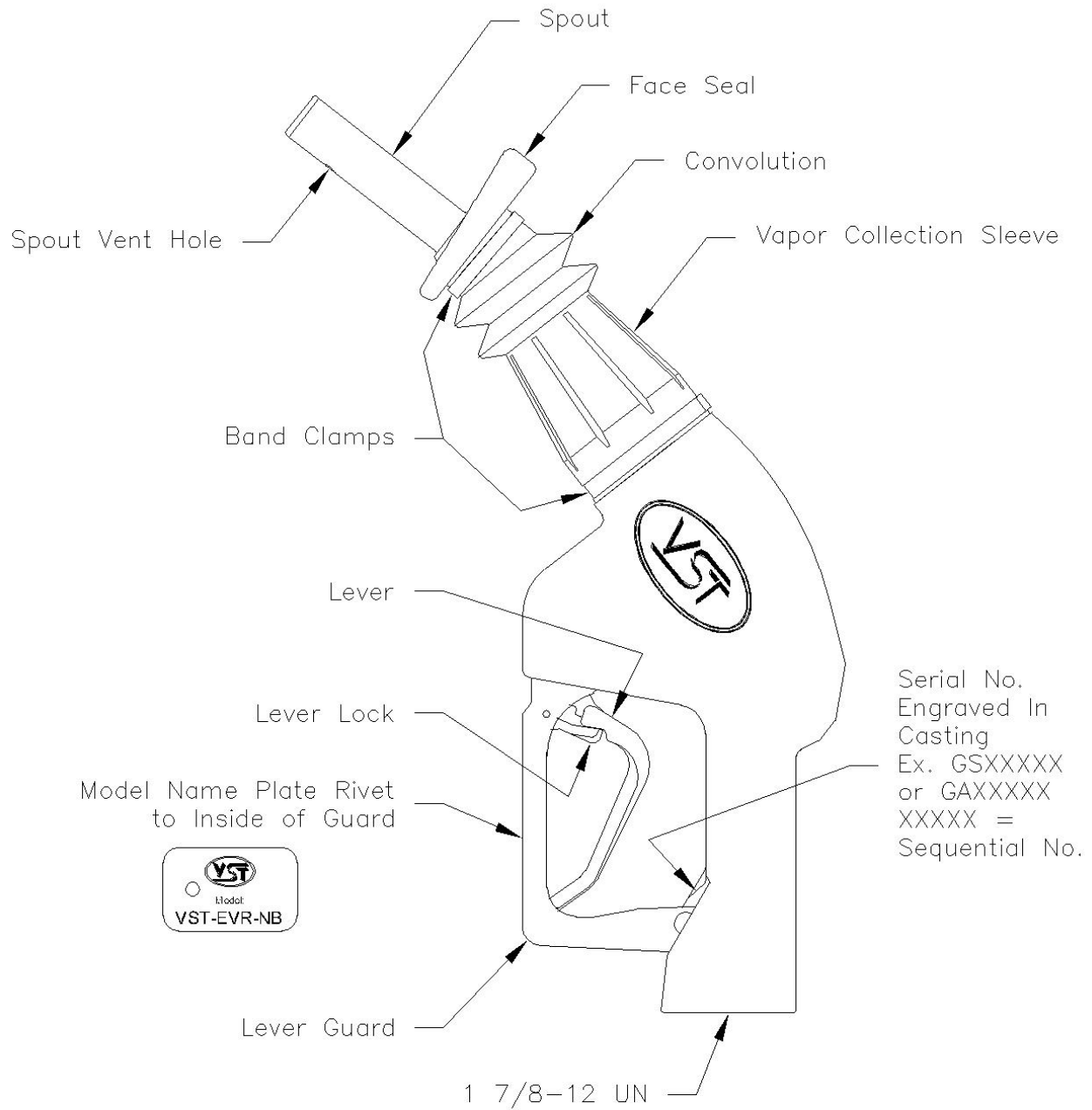
**Exhibit 1**  
**Equipment List**

<b><u>Component</u></b>	<b><u>Manufacturer/ Model</u></b>
<b>Nozzle</b>	VST Model VST-EVR-NB (Figure 1A-1) VST Model VST-EVR-NB-R (Rebuilt)
<b>Coaxial Curb Hose</b>	VST Model VDV-EVR Series (Figure 1A-2)
<b>Coaxial Whip Hose</b>	VST Model VSTA-EVR Series (Figure 1A-2)
<b>Breakaway Coupling</b>	VST Model VSTA-EVR-SBK (Figure 1A-2)
<b>Hanging Hardware with Liquid Removal Device</b>	(Figure 1A-3)
<b>Hirt Thermal Oxidizer With Indicator Panel</b>	Hirt Model VCS 100 (Figure 1A-4)  Leg Attachments: 5" – M39 48"- M40
<b>Hirt 1/4" Check Valve<sup>1</sup></b>	Hirt P65

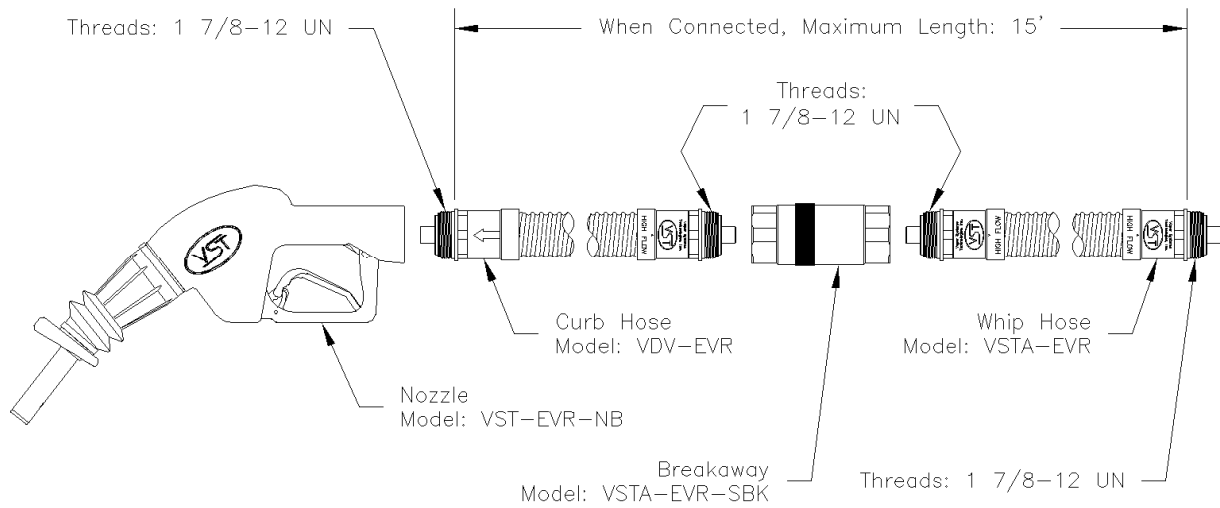
---

<sup>1</sup> Optional component used with Hirt Thermal Oxidizer System.

**Figure 1A-1**  
**Model VST-EVR- NB Nozzle**



**Figure 1A-2**  
**VST Hanging Hardware**  
**(Nozzle, Coaxial Curb Hose, Breakaway, and Coaxial Whip Hose)**



**Figure 1A-2 (continued)**  
**VST Hanging Hardware**  
(Nozzle, Coaxial Curb Hose, Breakaway, and Coaxial Whip Hose)



**Figure 1A-3**  
**Typical VST Hanging Hardware with Liquid Removal Device**

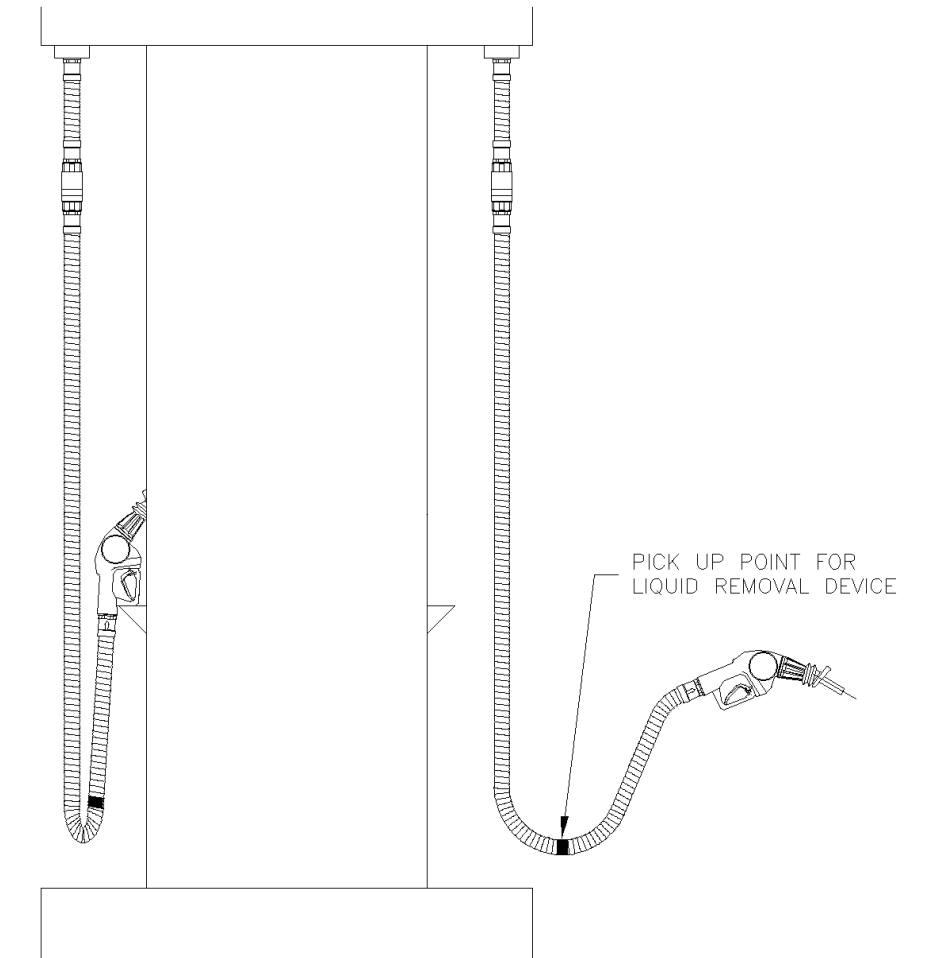
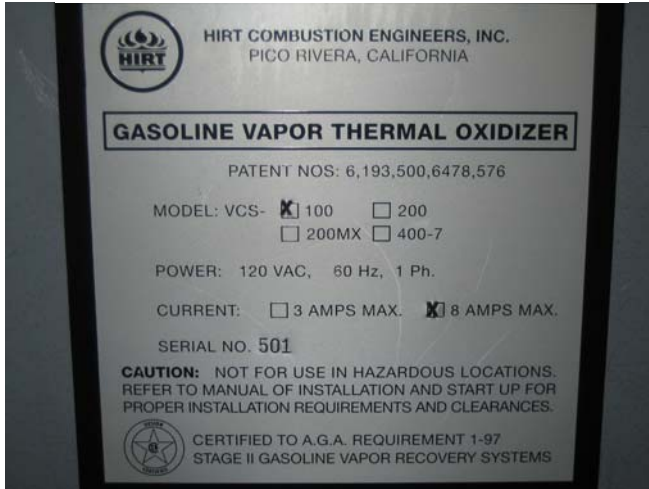
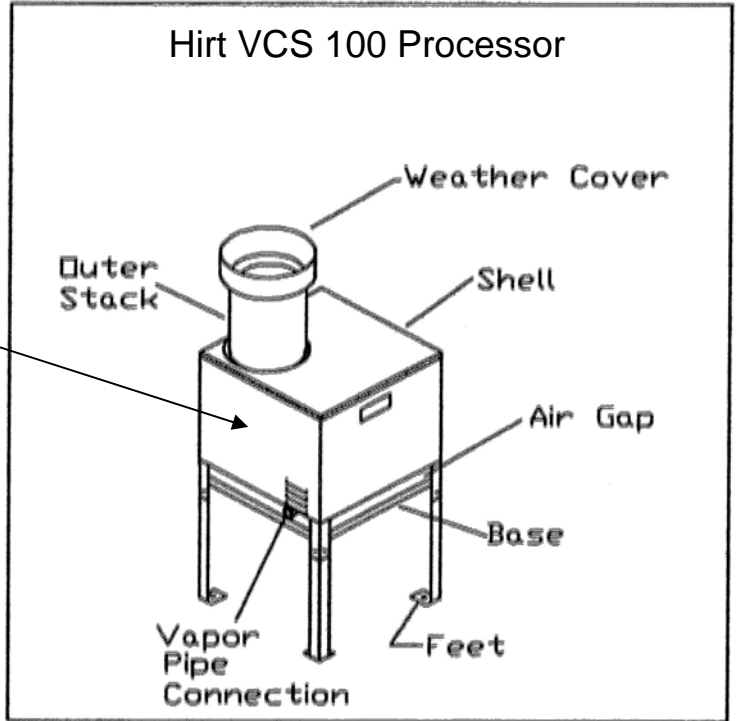


Figure 1A-4  
Hirt VCS 100 Thermal Oxidizer and Indicator Panel

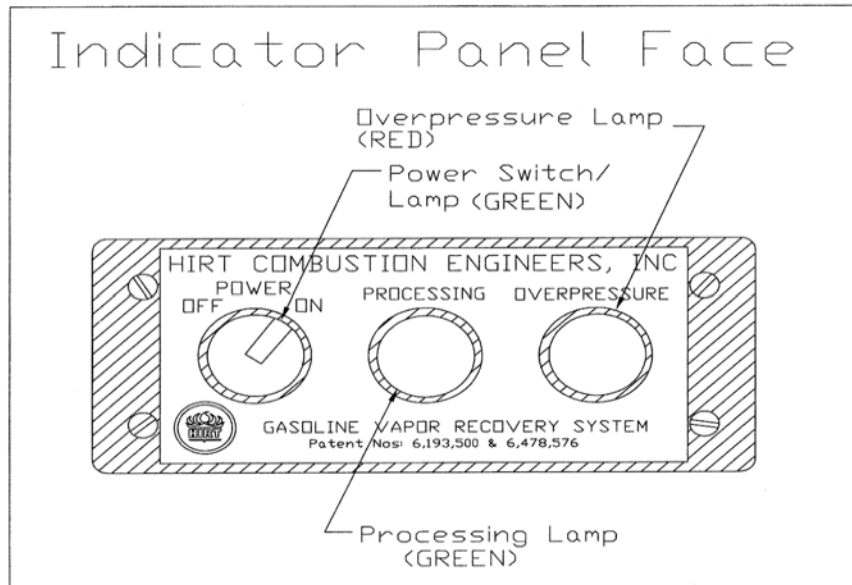
VCS 100 Identification Plate



Hirt VCS 100 Processor



Indicator Panel Face



**Figure 1A-4 (continued)**  
**Typical Hirt VCS100 Thermal Oxidizer Processor**

